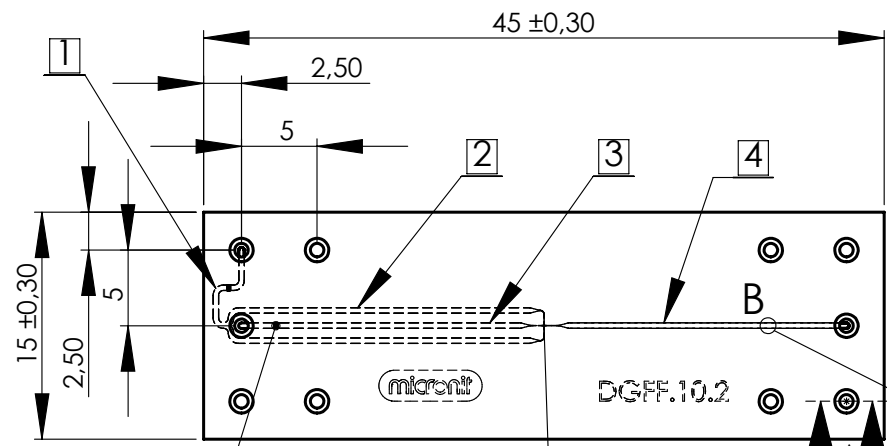
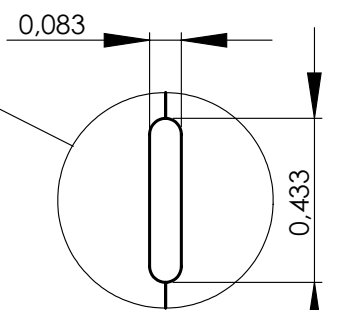


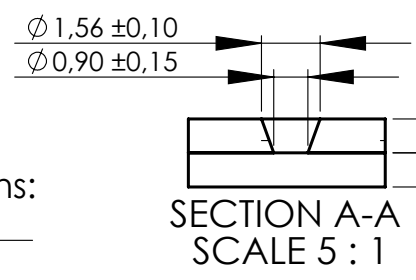
1 2 3 4 5 6



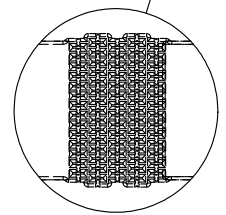
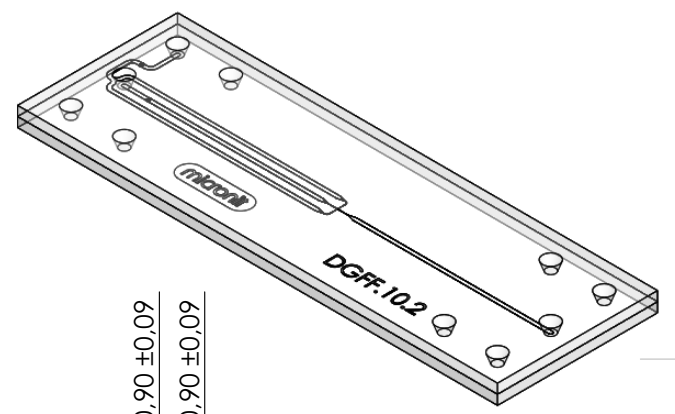
		Length [mm]	#	Volume [μl]
1	Continuous inlet channel	7.75	1	0.047
2	Continuous channel	20.8	2	0.127 (0.25 tot.)
3	Dispersed channel	18.5	1	0.11
4	Outlet channel	18.5	1	0.11



DETAIL B:
Channel
cross-section

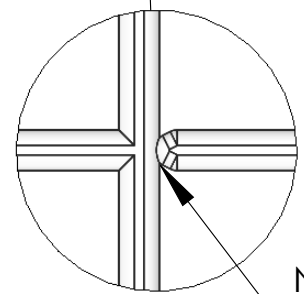


SECTION A-A
SCALE 5 : 1



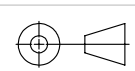
DETAIL E
SCALE 50 : 1

Filter structure at continuous inlet channel and dispersed channel



DETAIL C
SCALE 250 : 1

Nozzle dimensions:
0.010x0.014



THIRD ANGLE
PROJECTION

UNLESS OTHERWISE SPECIFIED:
DIMENSIONS ARE IN MILLIMETERS

SURFACE TREATMENT:
TOLERANCES:
LINEAR: ±.
ANGULAR: ±.

SURFACE FINISH:
-

Sheet format: A4

DEBUR AND BREAK
SHARP EDGES

	NAME	SIGNATURE	DATE	TITLE:
DRAWN	BvD		29-3-2017	DGFF.10.2
MOD				
CHK'D	WB		31-3-2017	

PROPRIETARY AND CONFIDENTIAL
THE INFORMATION CONTAINED IN THIS DRAWING IS THE SOLE PROPERTY OF MICRONIT MICROFLUIDICS BV. ANY REPRODUCTION IN PART OR AS A WHOLE WITHOUT THE WRITTEN PERMISSION OF MICRONIT MICROFLUIDICS BV IS PROHIBITED.

Projectnr. RD0961.002

MATERIAL:
Borofloat Glass

WEIGHT: 2.96

DWG NO.	REVISION
DGFF.10.2	1
SCALE: 2:1	SHEET 1 OF 1

DGFF.10.2

DGFF.10.2

DO NOT SCALE DRAWING