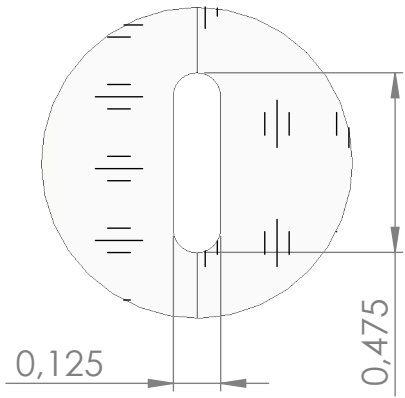
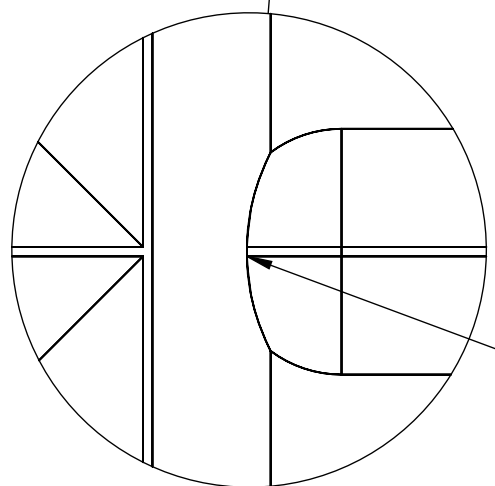
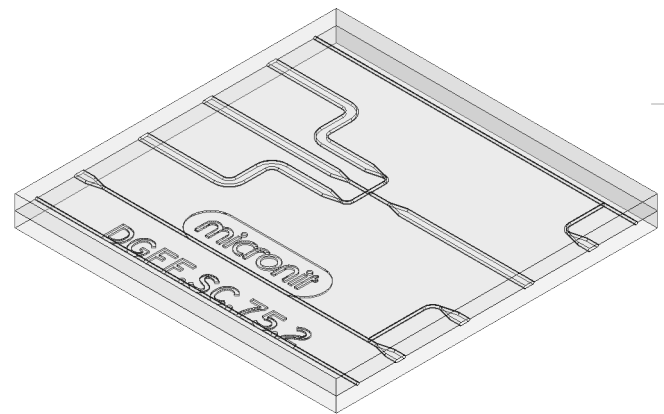


		Length [mm]	#	Volume [μl]
1	Continuous channel	9.9	2	0.49 (0.98 tot.)
2	Dispersed channel	7.5	1	0.37
3	Outlet channel	7.5	1	0.37



SECTION A-A
SCALE 50 : 1
Channel cross-section



DETAIL B
SCALE 250 : 1
Nozzle close-up

Nozzle dimensions:
0.075x0.105



PROPRIETARY AND CONFIDENTIAL

THE INFORMATION CONTAINED IN THIS DRAWING IS THE SOLE PROPERTY OF MICRONIT MICROFLUIDICS BV. ANY REPRODUCTION IN PART OR AS A WHOLE WITHOUT THE WRITTEN PERMISSION OF MICRONIT MICROFLUIDICS BV IS PROHIBITED.

<p>THIRD ANGLE PROJECTION</p>	UNLESS OTHERWISE SPECIFIED: DIMENSIONS ARE IN MILLIMETERS			SURFACE FINISH: -	Sheet format: A4
	SURFACE TREATMENT: TOLERANCES: LINEAR: ±. ANGULAR: ±.			-	DEBUR AND BREAK SHARP EDGES
DRAWN RINI	SIGNATURE	DATE 6-12-2017	TITLE: Item: 01368 SideConnect Droplet generator flow focused 75 μm nozzle		
MOD					
CHK'D WB		6-12-2017			
Projectnr. RD0961.005					
MATERIAL: Borosilicate glass		DWG NO. DGFF.SC.75.2		REVISION 3	
WEIGHT:		SCALE: 5:1		DO NOT SCALE DRAWING	
SHEET 1 OF 1					