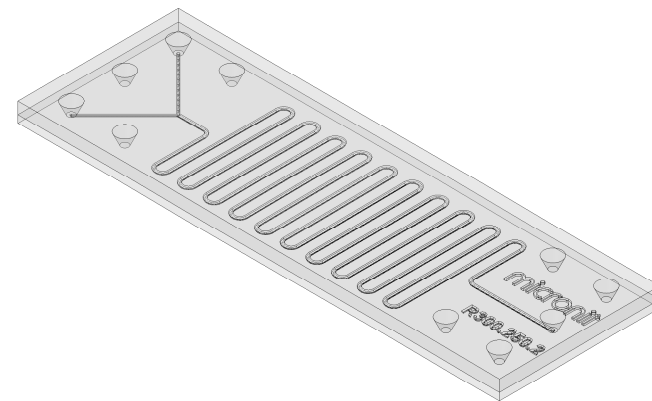
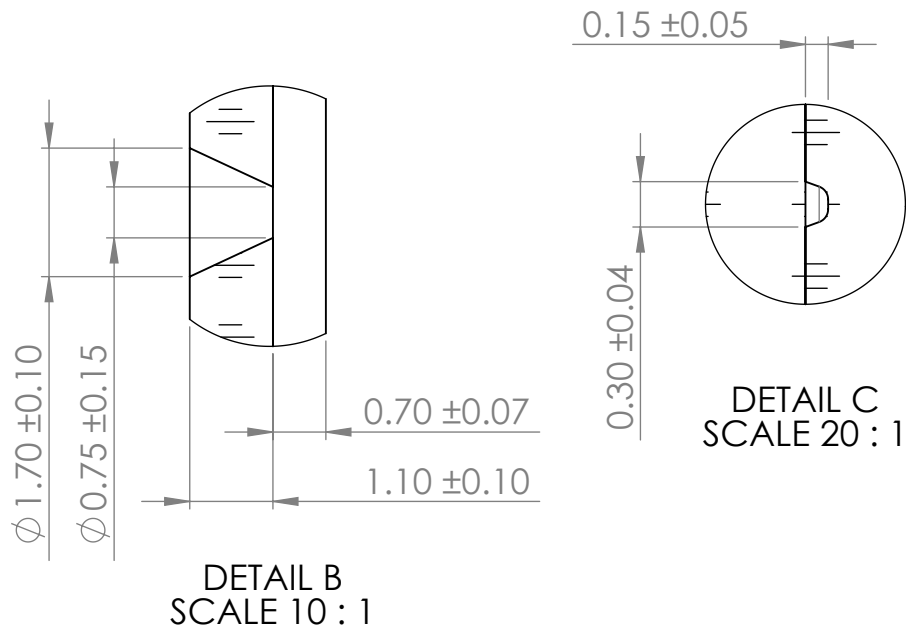


	Length [mm]	#	Volume [μl]
Inlet channel	7	2	0.15
Microreactor channel	250	1	9.2
Microreactor R300.250.2			9.52



UNLESS OTHERWISE SPECIFIED: DIMENSIONS ARE IN MILLIMETERS				SURFACE FINISH:		Sheet format: A4	
THIRD ANGLE PROJECTION		SURFACE TREATMENT:		✓		DEBUR AND BREAK SHARP EDGES	
		TOLERANCES: LINEAR: ANGULAR:					
DRAWN		NAME		TITLE:		Microreactor R300.250.2	
MOD		SIGNATURE		DATE			
CHK'D		WB		4-5-2016		REVISION 0	
Projectnr.		RD0931.002		MATERIAL:			
Projectnr.		RD0931.002		Borofloat glass		DWG NO. R300.250.2	
WEIGHT: 2.93		SCALE: 2:1		DO NOT SCALE DRAWING		SHEET 1 OF 1	

micronit
MICROFLUIDICS

PROPRIETARY AND CONFIDENTIAL

THE INFORMATION CONTAINED IN THIS DRAWING IS THE SOLE PROPERTY OF MICRONIT MICROFLUIDICS BV. ANY REPRODUCTION IN PART OR AS A WHOLE WITHOUT THE WRITTEN PERMISSION OF MICRONIT MICROFLUIDICS BV IS PROHIBITED.