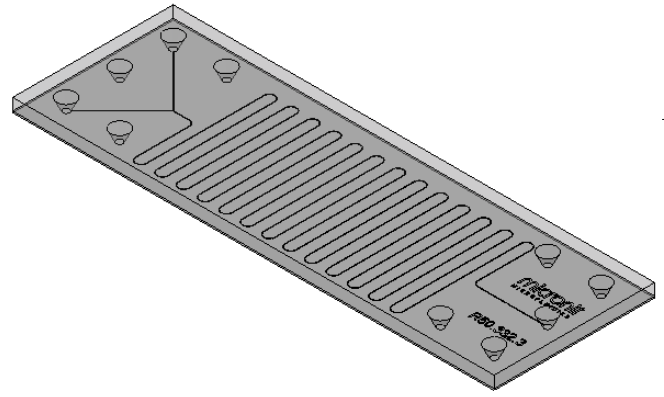
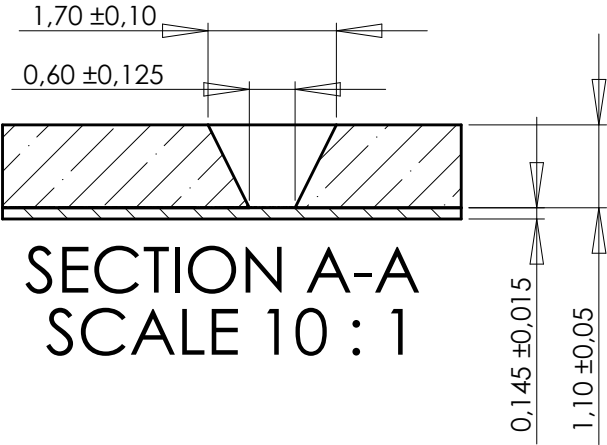
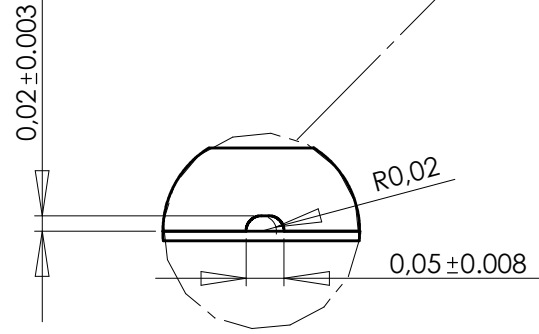
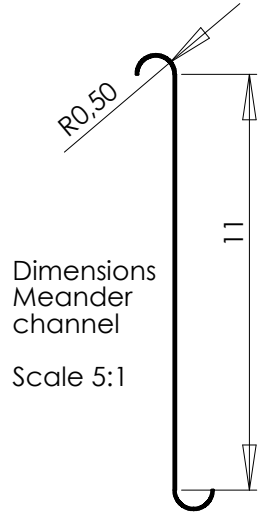
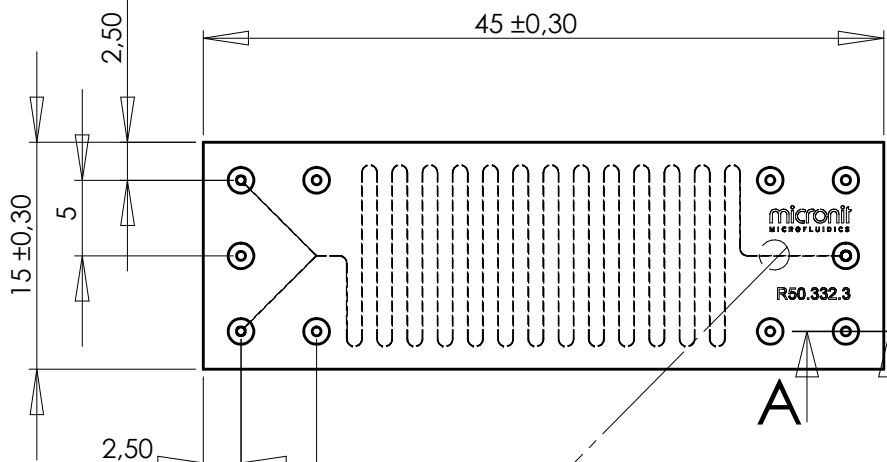


		Length [mm]	Volume [μ l]
Inlet	2x	7	0.3
Meander	1x	328	
Outlet	1x	7	



UNLESS OTHERWISE SPECIFIED:
 DIMENSIONS ARE IN MILLIMETERS
 SURFACE FINISH:
 TOLERANCES:
 LINEAR:
 ANGULAR:

FINISH:

	NAME	SIGNATURE	DATE
DRAWN	A. Hubers		5-9-2008
MOD.	W. Buesink		15-10-2008

PROPRIETARY AND CONFIDENTIAL

THE INFORMATION CONTAINED IN THIS DRAWING IS THE SOLE PROPERTY OF MICRONIT MICROFLUIDICS BV. ANY REPRODUCTION IN PART OR AS A WHOLE WITHOUT THE WRITTEN PERMISSION OF MICRONIT MICROFLUIDICS BV IS PROHIBITED.

MATERIAL: Glass (D263)

WEIGHT:

DO NOT SCALE DRAWING	REVISION 1.1
Micronit Microfluidics BV.	
TITLE: Example chip drawing	
DWG NO. R50.332.3	A4
SCALE:2:1	SHEET 1 OF 1

Release for quotation purposes only