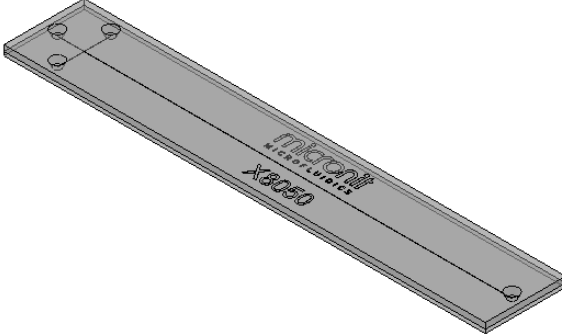
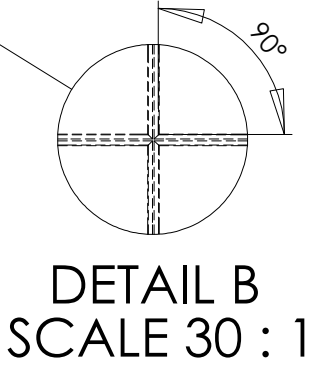
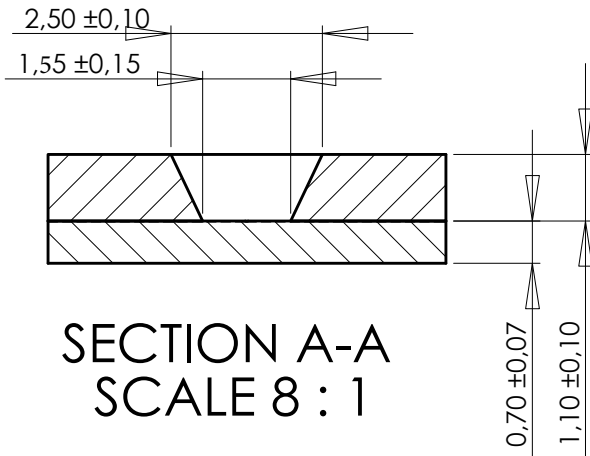


		Length [mm]	Volume [μl]
Long channel	1x	85	0.07
Short channel	2x	5	0.01



Release for quotation purposes only

UNLESS OTHERWISE SPECIFIED: DIMENSIONS ARE IN MILLIMETERS SURFACE FINISH: TOLERANCES: LINEAR: ANGULAR:				FINISH:	
NAME	SIGNATURE	DATE			
DRAWN A. Hubers		5-9-2008			
CHK'D W.Buesink		15-10-2008			
PROPRIETARY AND CONFIDENTIAL THE INFORMATION CONTAINED IN THIS DRAWING IS THE SOLE PROPERTY OF MICRONIT MICROFLUIDICS BV. ANY REPRODUCTION IN PART OR AS A WHOLE WITHOUT THE WRITTEN PERMISSION OF MICRONIT MICROFLUIDICS BV IS PROHIBITED.			MATERIAL:		
			Glass (Borofloat)		
			WEIGHT:		

DO NOT SCALE DRAWING		REVISION 1.1	
Micronit Microfluidics BV.			
TITLE: Chip drawing			
DWG NO. X8050		A4	
SCALE:2:1		SHEET 1 OF 1	